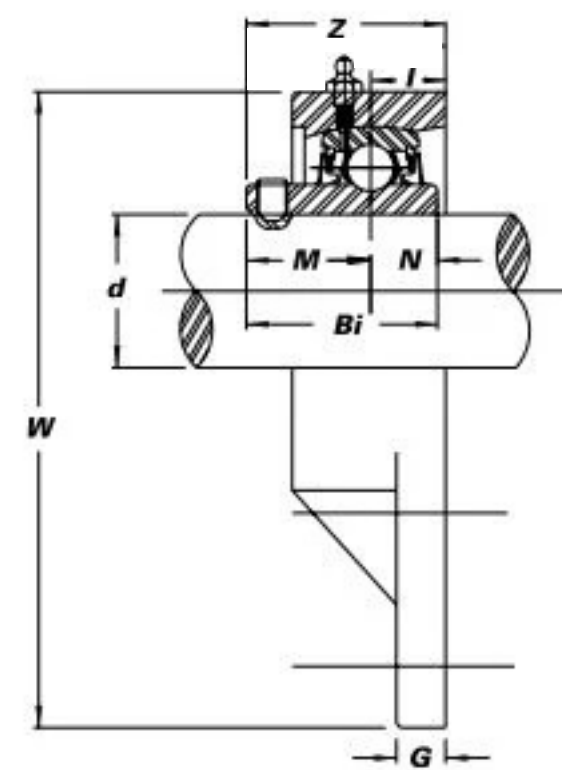
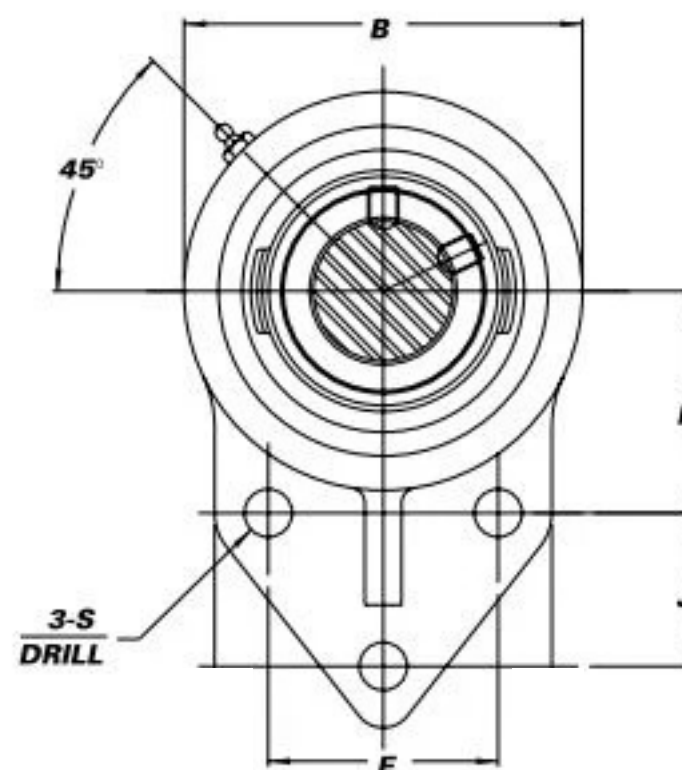


FLANGE BLOCK

SET SCREW TYPE:
THREE BOLT FLANGE BRACKET

UCFB200 Series



Shaft Dia. (in.)	RBI Unit No.	Dimensions (in.)												Bolt Used (in.)	Bearing No.	Housing No.	Weight (lbs.)
		a	h	e	J	i	g	s	b	f	z	Bi	n				
1/2 5/8 11/16 3/4	UCFB201-8 UCFB202-10 UCFB204-11 UCFB204-12	4-1/4	1-11/16	1-1/2	7/8	5/8	5/16	25/64	2-1/2	2-3/8	1-11/32	1.2205	0.500	5/16	UC201-8 UC202-10 UC204-11 UC204-12	FB204	1.43
7/8 15/16 1	UCFB205-14 UCFB205-15 UCFB205-16	4-3/4	1-13/16	1-5/8	1-1/8	21/32	3/8	25/64	2-3/4	2-1/2	1-7/16	1.339	0.563	5/16	UC205-14 UC205-15 UC205-16	FB205	2.00
1-1/16 1-1/8 1-3/16 1-1/4	UCFB206-17 UCFB206-18 UCFB206-19 UCFB206-20	5-3/8	2-1/16	1-7/8	1-1/4	47/64	3/8	25/64	3-1/4	2-3/4	1-39/64	1.500	0.626	5/16	UC206-17 UC206-18 UC206-19 UC206-20	FB206	2.50
1-1/4 1-5/16 1-3/8 1-7/16	UCFB207-20 UCFB207-21 UCFB207-22 UCFB207-23	6-1/8	2-3/8	2	1-1/4	53/64	1/2	33/64	3-3/4	3-1/4	1-53/64	1.689	0.689	7/16	UC207-20 UC207-21 UC207-22 UC207-23	FB207	2.90
1-1/2 1-9/16	UCFB208-24 UCFB208-25	6-15/32	2-3/8	1-31/32	1-5/8	53/64	5/8	15/32	3-15/16	3-1/16	2-1/64	1.937	0.748	3/8	UC208-24 UC208-25	FB208	3.50
1-5/8 1-11/16 1-3/4	UCFB209-26 UCFB209-27 UCFB209-28	6-27/32	2-9/16	2-1/8	1-11/16	55/64	23/32	15/32	4-3/16	3-5/32	2-1/64	1.937	0.748	3/8	UC209-26 UC209-27 UC209-28	FB209	4.90
1-7/8 1-15/16 2	UCFB210-30 UCFB210-31 UCFB210-32	7-1/2	2-15/16	2-3/4	1-5/8	55/64	1/2	33/64	4-5/8	4	2-7/64	2.032	0.748	7/16	UC210-30 UC210-31 UC210-32	FB210	5.40