

Thermoplastic 3-Bolt Flanges

With Set Screw Lock

Optional bearing inserts:
Stainless Steel-SUCTFB
Hard Chrome Coated-CUCTFB
Black Oxide-BUCTFB

• End Caps Available for all styles.



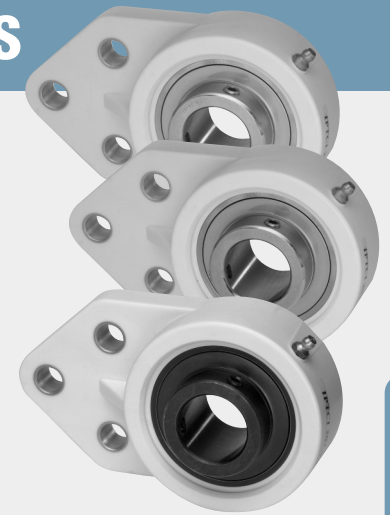
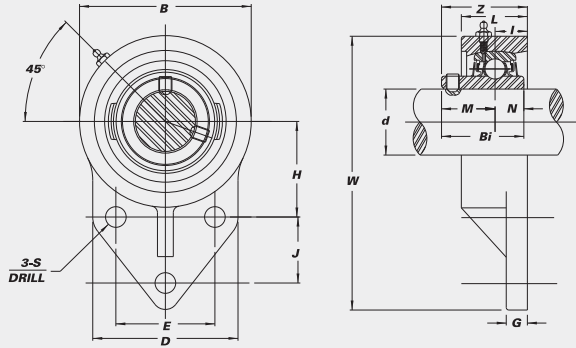
B-type Seal

B-type seal available in all styles and sizes.



L3-type Seal

L3-type seal available in SUC units only. Limited sizes. Consult IPTCI for speed limitations.



CORROSION RESISTANT

Unit No.	Shaft Dia.		Dimensions (in.) (mm)													Bolt Used (in.)	Bearing No.	Housing No.	Weight (lbs.)
	d (in.)	d (mm)	W	B	D	L	S	G	H	J	E	I	Z	Bi	N				

SUCTFB with Stainless Steel Bearing Inserts

SUCTFB 201-8	1/2		4 1/4	2 1/2	2 7/16	1 1/32	25/64	7/16	1 11/16	7/8	1 1/2	19/32	1 5/16	1.2205	0.5000	0.7205	5/16	SUC 201-8			
202-10	5/8		108	64	62	26	9.9	11	43.3	22.2	38.1	15	33.3	31.0	12.7	18.3			202-10	TFB 204	.6
204-12	3/4																		204-12		
204		20																	204		
SUCTFB 205-14	7/8		4 3/4	2 3/4	2 1/2	1 11/32	25/64	7/16	1 13/16	1 1/8	1 5/8	21/32	1 15/32	1.3386	0.5630	0.7756	5/16	SUC 205-14			
205		25	121	70	64	34	9.9	11	46.0	28.6	41.3	16.5	37.1	34.0	14.3	19.7			205-14	TFB 205	.7
205-16	1																		205-16		
SUCTFB 206-18	1 1/8		5 3/8	3 1/4	3	1 1/4	25/64	17/32	2 1/16	1 1/4	1 7/8	45/64	1 19/32	1.5000	0.6260	0.8740	5/16	SUC 206-18			
206		30	137	83	76	32	9.9	13	52.4	31.8	47.6	18	40.6	38.1	15.9	22.2			206	TFB 206	1.1
206-19	1 3/16																		206-19		
206-20	1 1/4 S																		206-20		
SUCTFB 207-20	1 1/4		6 1/8	3 3/4	3 1/2	1 7/16	33/64	4 1/64	2 2/8	1 1/4	2	3/4	1 49/64	1.6890	0.6890	1.0000	7/16	SUC 207-20			
207-21	1 5/16		156	95	89	37	13.1	16	60.3	31.8	50.8	19	45.0	42.9	17.5	25.4			207-21	TFB 207	1.5
207-22	1 3/8																		207-22		
207		35																	207		
207-23	1 7/16																		207-23		

CUCTFB with Hard Chrome Coated Bearing Inserts

CUCTFB 204-12	3/4		4 1/4	2 1/2	2 7/16	1 1/32	25/64	7/16	1 11/16	7/8	1 1/2	19/32	1 5/16	1.2205	0.5000	0.7205	5/16	CUC 204-12			
204		20	108	64	62	26	9.9	11	43.3	22.2	38.1	15	33.3	31.0	12.7	18.3			204	TFB 204	.6
CUCTFB 205-14	7/8		4 3/4	2 3/4	2 1/2	1 11/32	25/64	7/16	1 13/16	1 1/8	1 5/8	21/32	1 15/32	1.3386	0.5630	0.7756		5/16	CUC 205-14		
205		25	121	70	64	34	9.9	11	46.0	28.6	41.3	16.5	37.1	34.0	14.3	19.7				205	TFB 205
205-16	1																		205-16		
CUCTFB 206-18	1 1/8		5 3/8	3 1/4	3	1 1/4	25/64	17/32	2 1/16	1 1/4	1 7/8	45/64	1 19/32	1.5000	0.6260	0.8740	5/16	CUC 206-18			
206		30	137	83	76	32	9.9	13	52.4	31.8	47.6	18	40.6	38.1	15.9	22.2			206	TFB 206	1.1
206-19	1 3/16																		206-19		
206-20	1 1/4 S																		206-20		
CUCTFB 207-20	1 1/4		6 1/8	3 3/4	3 1/2	1 7/16	33/64	4 1/64	2 2/8	1 1/4	2	3/4	1 49/64	1.6890	0.6890	1.0000	7/16	CUC 207-20			
207-22	1 3/8		156	95	89	37	13.1	16	60.3	31.8	50.8	19	45.0	42.9	17.5	25.4			207-22	TFB 207	1.5
207		35																	207		
207-23	1 7/16																		207-23		

BUCTFB with Black Oxide Bearing Inserts

BUCTFB 201-8	1/2		4 1/4	2 1/2	2 7/16	1 1/32	25/64	7/16	1 11/16	7/8	1 1/2	19/32	1 5/16	1.2205	0.5000	0.7205	5/16	BUC 201-8			
202-10	5/8		108	64	62	26	9.9	11	43.3	22.2	38.1	15	33.3	31.0	12.7	18.3			202-10	TFB 204	.6
204-12	3/4																		204-12		
204		20																	204		
BUCTFB 205-14	7/8		4 3/4	2 3/4	2 1/2	1 11/32	25/64	7/16	1 13/16	1 1/8	1 5/8	21/32	1 15/32	1.3386	0.5630	0.7756	5/16	BUC 205-14			
205		25	121	70	64	34	9.9	11	46.0	28.6	41.3	16.5	37.1	34.0	14.3	19.7			205	TFB 205	.7
205-16	1																		205-16		
BUCTFB 206-18	1 1/8		5 3/8	3 1/4	3	1 1/4	25/64	17/32	2 1/16	1 1/4	1 7/8	45/64	1 19/32	1.5000	0.6260	0.8740	5/16	BUC 206-18			
206		30	137	83	76	32	9.9	13	52.4	31.8	47.6	18	40.6	38.1	15.9	22.2			206	TFB 206	1.1
206-19	1 3/16																		206-19		
206-20	1 1/4 S																		206-20		
BUCTFB 207-20	1 1/4		6 1/8	3 3/4	3 1/2	1 7/16	33/64	4 1/64	2 2/8	1 1/4	2	3/4	1 49/64	1.6890	0.6890	1.0000	7/16	BUC 207-20			
207-21	1 5/16		156	95	89	37	13.1	16	60.3	31.8	50.8	19	45.0	42.9	17.5	25.4			207-21	TFB 207	1.5
207-22	1 3/8																		207-22		
207		35																	207		
207-23	1 7/16																		207-23		