



Customer information packet

M3543

.75HP, 1140RPM, 3PH, 60HZ, 56, 3428M, TEFC, F1

MDS OF MICHIGAN INC

Class - None

Division - Not Applicable

Specifications

| | |
|--------------------------------|---|
| Enclosure | TEFC |
| Frame | 56 |
| Frame Material | Steel |
| Frequency | 60.00 Hz |
| Haz Area Class and Group | None |
| Haz Area Division | Not Applicable |
| Motor Letter Type | Three Phase |
| Output @ Frequency | .750 HP @ 60 HZ |
| Phase | 3 |
| Synchronous Speed @ Frequency | 1200 RPM @ 60 HZ |
| Voltage @ Frequency | 460.0 V @ 60 HZ 230.0 V @ 60 HZ 208.0 V @ 60 HZ |
| Agency Approvals | CSA UR |
| Ambient Temperature | 40 °C |
| Auxillary Box | No Auxillary Box |
| Auxillary Box Lead Termination | None |
| Base Indicator | Rigid |
| Bearing Grease Type | Polyrex EM (-20F +300F) |
| Blower | None |
| Current @ Voltage | 3.300 A @ 208.0 V 3.000 A @ 230.0 V 1.500 A @ 460.0 V |
| Design Code | B |
| Drip Cover | No Drip Cover |
| Duty Rating | CONT |
| Efficiency @ 100% Load | 77.0 % |
| Electrically Isolated Bearing | Not Electrically Isolated |
| Feedback Device | NO FEEDBACK |
| Front Face Code | Standard |
| Front Shaft Indicator | None |

Part detail

| | |
|--------------|------------|
| Revision | S |
| Type | AC |
| Mech. spec. | 34J153 |
| Base | |
| Status | PRD/A |
| Elec. spec. | 34WGW012 |
| Layout | 34LYJ153 |
| Eff. date | 02-08-2024 |
| CD Diagram | CD0005 |
| Poles | 06 |
| Leads | 9#18 |
| Proprietary | False |
| Created date | 01-10-2006 |

| | |
|-------------------------------|--------------------|
| Heater Indicator | No Heater |
| High Voltage Full Load Amps | 1.5 a |
| Insulation Class | B |
| Inverter Code | Not Inverter |
| IP Rating | NONE |
| KVA Code | K |
| Lifting Lugs | No Lifting Lugs |
| Locked Bearing Indicator | No Locked Bearing |
| Motor Lead Exit | Ko Box |
| Motor Lead Quantity/Wire Size | 9 @ 18 AWG |
| Motor Lead Termination | Flying Leads |
| Motor Standards | NEMA |
| Motor Type | 3428M |
| Mounting Arrangement | F1 |
| Number of Poles | 6 |
| Overall Length | 12.84 IN |
| Power Factor | 59 |
| Product Family | General Purpose |
| Pulley End Bearing Type | Ball |
| Pulley Face Code | Standard |
| Pulley Shaft Indicator | Standard |
| Rodent Screen | None |
| RoHS Status | ROHS COMPLIANT |
| Service Factor | 1.15 |
| Shaft Diameter | 0.625 IN |
| Shaft Extension Location | Pulley End |
| Shaft Ground Indicator | No Shaft Grounding |
| Shaft Rotation | Reversible |
| Shaft Slinger Indicator | No Slinger |
| Speed | 1140 rpm |
| Speed Code | Single Speed |
| Starting Method | Direct on line |
| Thermal Device - Bearing | None |
| Thermal Device - Winding | None |

| Vibration Sensor Indicator | No Vibration Sensor |
|-----------------------------------|----------------------------|
| Winding Thermal 1 | None |
| Winding Thermal 2 | None |

Nameplate

| NP1256L | | | | | | | | | |
|---------------------|-----------------|-------------|------------|------------|---|--------------|---|--|--|
| CAT.NO. | M3543 | | | | | | | | |
| SPEC. | 34J153W012 | | | | | | | | |
| HP | .75 | | | | | | | | |
| VOLTS | 208-230/460 | | | | | | | | |
| AMP | 3.3-3/1.5 | | | | | | | | |
| RPM | 1140 | | | | | | | | |
| FRAME | 56 | | HZ | 60 | | PH | 3 | | |
| SER.F. | 1.15 | CODE | K | DES | B | CLASS | B | | |
| NEMA-NOM-EFF | 77 | PF | 59 | | | | | | |
| RATING | 40C AMB-CONT | | | | | | | | |
| CC | | | | | | | | | |
| DE | 6203 | | ODE | 6203 | | | | | |
| ENCL | TEFC | SN | | | | | | | |
| | SFA 3.5-3.2/1.6 | | | | | | | | |

Parts list

| Part number | Description | Quantity |
|---------------|--|----------|
| SA137345 | SA 34J153W012 | 1.000 ea |
| RA126958 | RA 34J153W012 | 1.000 ea |
| NS2512A01 | INSULATOR, CONDUIT BOX X | 1.000 ea |
| 34CB3002A | CB CAST W/.88 DIA HOLE | 1.000 ea |
| 34GS1029A01 | GASKET, CONDUIT BOX | 1.000 ea |
| 51XB1016A07 | 10-16 X 7/16 HXWSSLD SERTYB | 2.000 ea |
| 11XW1032G06 | 10-32 X .38, TAPTITE II, HEX WSHR SLTD U | 1.000 ea |
| 34EP3102A01SP | FR ENDPLATE, MACH | 1.000 ea |
| HW5100A03 | WAVY WASHER (W1543-017) | 1.000 ea |
| 34EP3102A02SP | FR/PU ENDPLATE, MACH | 1.000 ea |
| XY1032A02 | 10-32 HEX NUT DIRECTIONAL SERRATION | 4.000 ea |
| 34FN3002A01SP | EXTERNAL FAN, PLASTIC, .637/.639 HUB W/ | 1.000 ea |
| 34FH4002A01SP | IEC FH NO GREASER PRIMED | 1.000 ea |
| 51XW1032A06 | 10-32 X .38, TAPTITE II, HEX WSHR SLTD S | 3.000 ea |
| 34CB4517 | CB LID 4 MTG HOLES .22 DIA STAMPED, FOR | 1.000 ea |
| 34GS1031A01 | GASKET, FLAT CONDUIT BOX LID (LEXIDE) | 1.000 ea |
| 51XW0832A07 | 8-32 X .44, TAPTITE II, HEX WSHR SLTD SE | 4.000 ea |
| HW2501D13 | KEY, 3/16 SQ X 1.375 | 1.000 ea |
| HA7000A04 | KEY RETAINER 0.625 DIA SHAFTS | 1.000 ea |
| MG1000G27 | MED CHARCOAL METALLIC GREY | 0.014 ga |
| 85XU0407S04 | 4X1/4 U DRIVE PIN STAINLESS | 2.000 ea |
| HA3100A45 | THRUBOLT 10-32 X 8.875 | 4.000 ea |
| MN416A01 | TAG-INSTAL-MAINT no wire (2100bx)4/22 | 1.000 ea |
| LC0005E01 | CONN.DIA./WARNING LABEL (LC0005/LB1119N) | 1.000 ea |
| NP1256L | ALUM UL CC INDUSTRIAL MOTOR A60 | 1.000 ea |
| 35PA1066 | PKG GRP, PRINT PK1008A06 | 1.000 ea |

Accessories

| Part number | Description | Multiplier |
|--------------------|--------------------|-------------------|
| 34-171 | C FACE KIT | A8 |

AC Induction Motor Performance Data

Record # 6846

Typical performance - not guaranteed values

| Winding: 34WGW012-R001 | | Type: 3428M | | Enclosure: TEFC | |
|-------------------------------|------------------------|--------------------|--|------------------------|--|
| Nameplate Data | | | 460 V, 60 Hz: High Voltage Connection | | |
| Rated Output (HP) | .75 | | Full Load Torque | 3.4 LB-FT | |
| Volts | 208-230/460 | | Start Configuration | direct on line | |
| Full Load Amps | 3.3-3/1.5 | | Breakdown Torque | 11.8 LB-FT | |
| R.P.M. | 1140 | | Pull-up Torque | 9.3 LB-FT | |
| Hz | 60 Phase | 3 | Locked-rotor Torque | 9.7 LB-FT | |
| NEMA Design Code | B KVA Code | K | Starting Current | 7.4 A | |
| Service Factor (S.F.) | 1.15 | | No-load Current | 1.1 A | |
| NEMA Nom. Eff. | 77 Power Factor | 59 | Line-line Res. @ 25°C | 21.9 Ω | |
| Rating - Duty | 40C AMB-CONT | | Temp. Rise @ Rated Load | 62°C | |
| S.F. Amps | 3.5-3.2/1.6 | | Temp. Rise @ S.F. Load | 75°C | |

Load Characteristics 460 V, 60 Hz, 0.75 HP

| % of Rated Load | 25 | 50 | 75 | 100 | 125 | 150 | S.F. |
|------------------------|-----------|-----------|-----------|------------|------------|------------|-------------|
| Power Factor | 26 | 40 | 51 | 59 | 65 | 68 | 63 |
| Efficiency | 60 | 72 | 76 | 77 | 75 | 73 | 76 |
| Speed | 1185 | 1170 | 1155 | 1135 | 1115 | 1095 | 1125 |
| Line amperes | 1.1 | 1.2 | 1.4 | 1.5 | 1.7 | 2 | 1.6 |

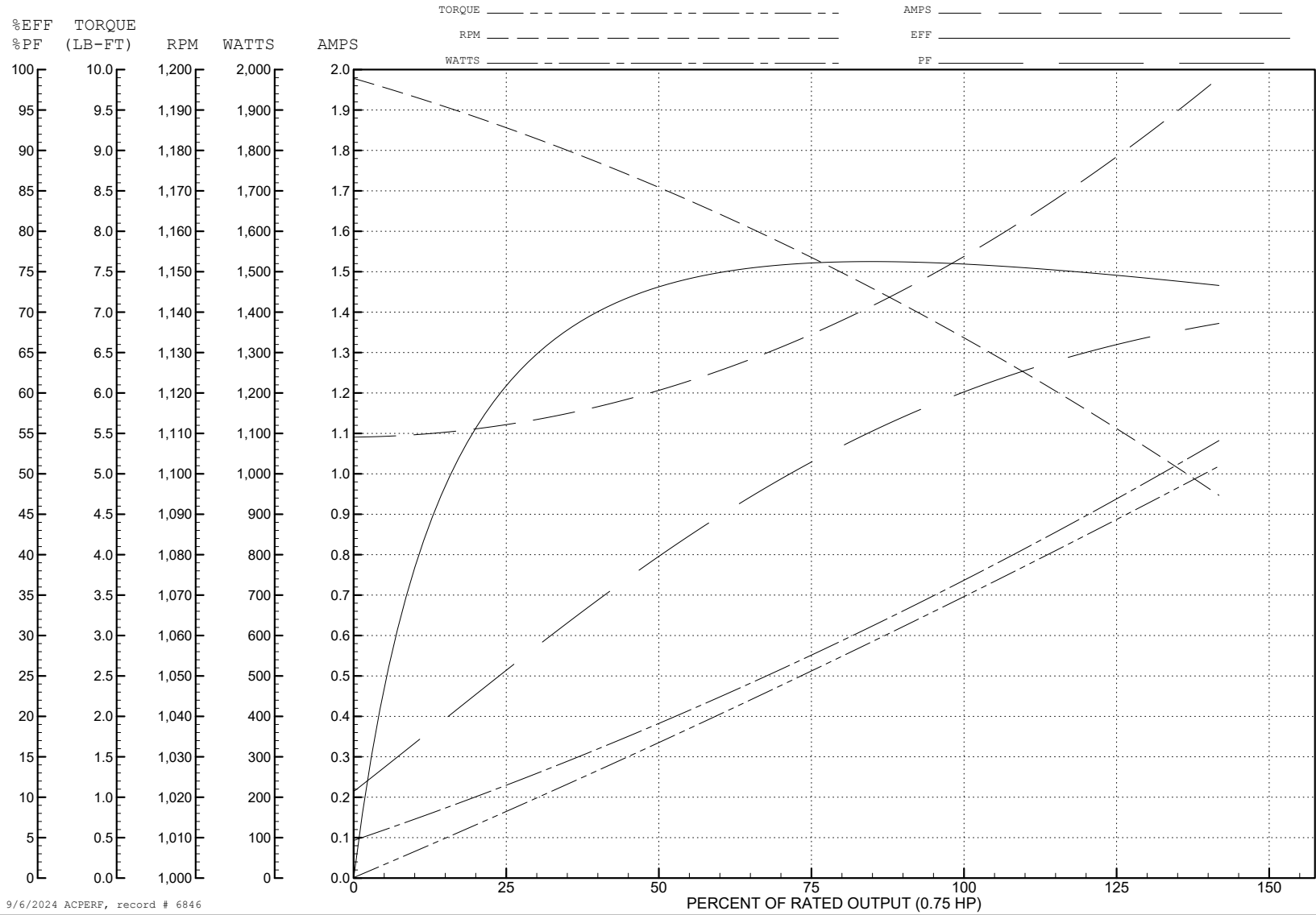
ABB Motors and Mechanical Inc.

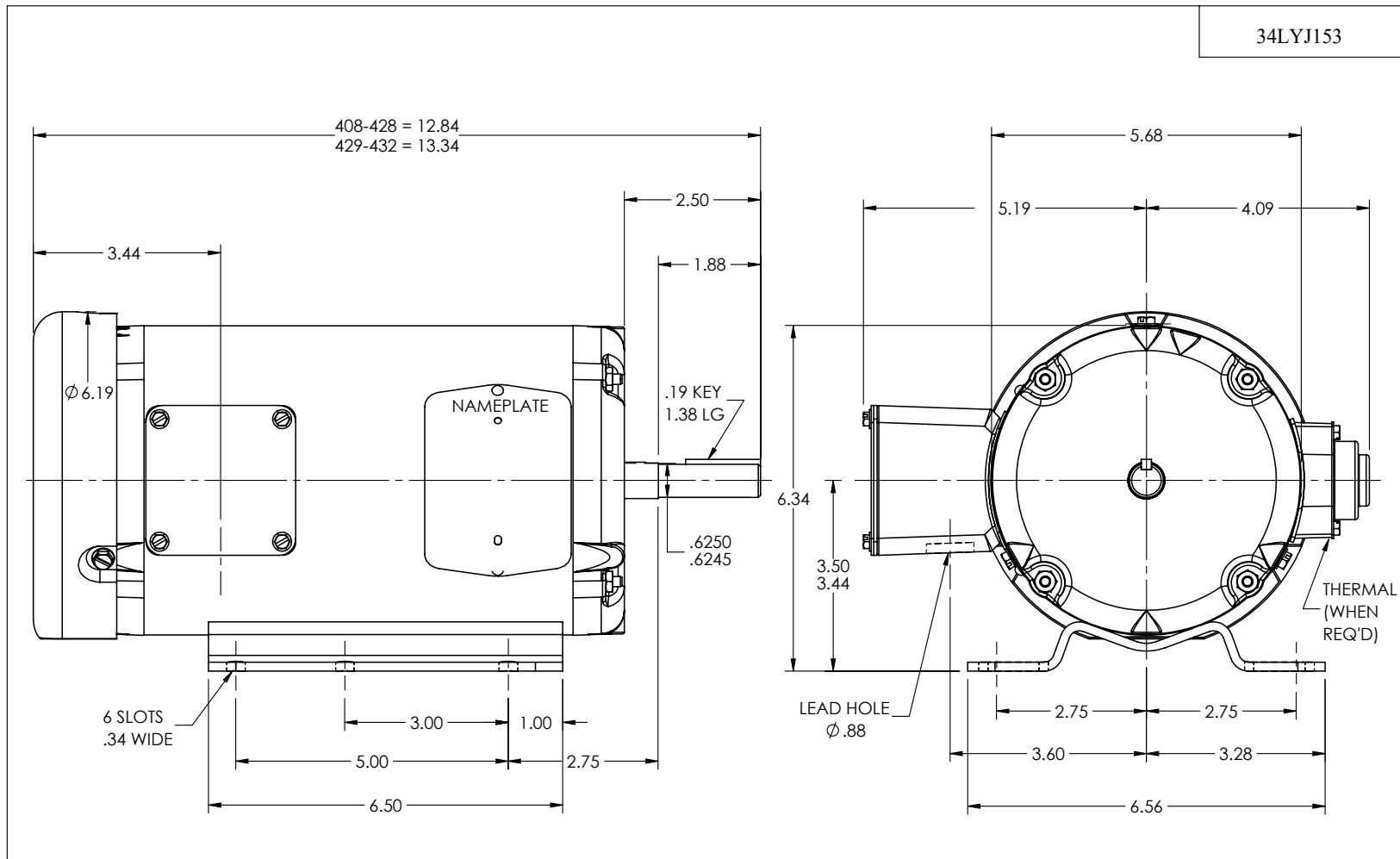
WINDING # 34WGW012

0.75 HP 3 PH 60 HZ 1140 RPM 460 V 3428M

Typical performance - not guaranteed values.

TORQUES (LB-FT): PO=11.8 PU=9.3 LR=9.7 LRA=7.4





34LYJ153

CUSTOMER IS RESPONSIBLE FOR DETERMINING THAT THE PRODUCT WILL PERFORM SUITABLY IN THE INTENDED APPLICATION

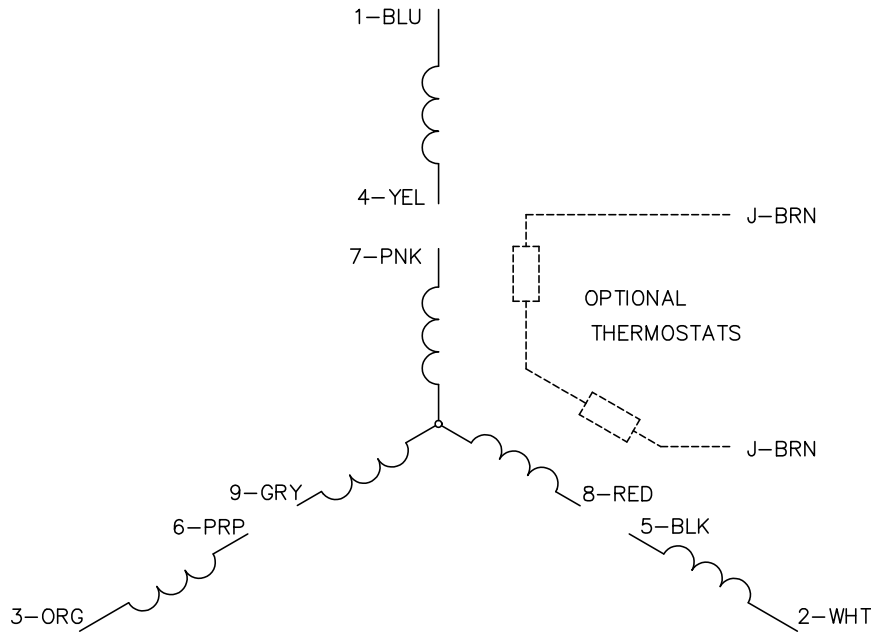
| | | | |
|-------------------------------|-------------|------------------------------|-------------------|
| REV. DESC: LOAD TO SOLIDWORKS | | | |
| REV: C | VERSION: 03 | REVISED: 10:33:25 09/22/2022 | TDR: 000001194274 |
| MODEL NO. 34LYJ153 | | REF: - | |
| BY: ENFRAJ0 | | | |

BALDOR - RELIANCE®

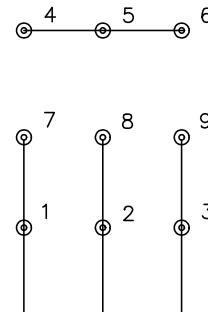
STD HORZ 34M NEMA 56/56H TEFC

34LYJ153

CD0005

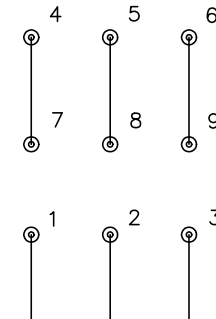


LOW VOLTAGE
(2Y)



LINE

HIGH VOLTAGE
(1Y)



LINE

NOTES:

1. INTERCHANGE ANY TWO LINE LEADS TO REVERSE ROTATION.
2. OPTIONAL THERMOSTATS ARE PROVIDED WHEN SPECIFIED.
3. ACTUAL NUMBER OF INTERNAL PARALLEL CIRCUITS MAY BE A MULTIPLE OF THOSE SHOWN ABOVE.
4. LEAD COLORS ARE OPTIONAL. LEADS MUST ALWAYS BE NUMBERED AS SHOWN.

CD0005

| | | | |
|---|---------|-------------------------|--------------|
| REV. DESC: REVISE TO SHOW OPTIONAL COLORS | | | |
| REV. LTR: E | BY: JLP | REVISED: 01/19/99 10:15 | TDR: 0171435 |
| S00000 | | FILE: AAA00005140 | MDL: - |
| | | MTL: - | |

BALDOR ELECTRIC Co.

3PH, DV, 9 LEADS