



Customer information packet

CM3537

.5HP, 3420RPM, 3PH, 60HZ, 56C, 3410M, TEFC, F1

MDS OF MICHIGAN INC

Class - None

Division - Not Applicable

Specifications

Enclosure	TEFC
Frame	56C
Frame Material	Steel
Frequency	60.00 Hz
Haz Area Class and Group	None
Haz Area Division	Not Applicable
Motor Letter Type	Three Phase
Output @ Frequency	.500 HP @ 60 HZ
Phase	3
Synchronous Speed @ Frequency	3600 RPM @ 60 HZ
Voltage @ Frequency	230.0 V @ 60 HZ 460.0 V @ 60 HZ
Agency Approvals	CSA UR
Ambient Temperature	40 °C
Auxillary Box	No Auxillary Box
Auxillary Box Lead Termination	None
Base Indicator	Rigid
Bearing Grease Type	Polyrex EM (-20F +300F)
Blower	None
Current @ Voltage	.800 A @ 460.0 V 1.540 A @ 208.0 V 1.600 A @ 230.0 V
Design Code	B
Drip Cover	No Drip Cover
Duty Rating	CONT
Efficiency @ 100% Load	72.0 %
Electrically Isolated Bearing	Not Electrically Isolated
Feedback Device	NO FEEDBACK
Front Shaft Indicator	None
Heater Indicator	No Heater
High Voltage Full Load Amps	0.8 a

Part detail

Revision	A
Type	AC
Mech. spec.	34A062
Base	
Status	PRD/A
Elec. spec.	34WGR708
Layout	34LYA062
Eff. date	02-08-2024
CD Diagram	CD0005
Poles	02
Leads	9#18
Proprietary	False
Created date	02-08-2021

Insulation Class	B
Inverter Code	Not Inverter
KVA Code	J
Lifting Lugs	No Lifting Lugs
Locked Bearing Indicator	Locked Bearing
Motor Lead Quantity/Wire Size	9 @ 18 AWG
Motor Lead Termination	Flying Leads
Motor Standards	NEMA
Motor Type	3410M
Mounting Arrangement	F1
Number of Poles	2
Overall Length	11.35 IN
Power Factor	80
Product Family	General Purpose
Pulley End Bearing Type	Ball
Pulley Face Code	C-Face
Pulley Shaft Indicator	Standard
Rodent Screen	None
Service Factor	1.25
Shaft Diameter	0.625 IN
Shaft Ground Indicator	No Shaft Grounding
Shaft Rotation	Reversible
Shaft Slinger Indicator	No Slinger
Speed	3420 rpm
Speed Code	Single Speed
Starting Method	Direct on line
Thermal Device - Bearing	None
Thermal Device - Winding	None
Vibration Sensor Indicator	No Vibration Sensor
Winding Thermal 1	None
Winding Thermal 2	None

Nameplate

NP1256L									
CAT.NO.	CM3537								
SPEC.	34A062R708								
HP	.5								
VOLTS	230/460								
AMP	1.6/.8								
RPM	3420								
FRAME	56C		HZ	60		PH	3		
SER.F.	1.25	CODE	J	DES	B	CLASS	B		
NEMA-NOM-EFF	72	PF	80						
RATING	40C AMB-CONT								
CC									
DE	6203		ODE	6203					
ENCL	TEFC	SN							
	SFA 1.9/0.95								

Parts list

Part number	Description	Quantity
SA390565	SA 34A062R708	1.000 ea
RA381017	RA 34A062R708	1.000 ea
NS2512A01	INSULATOR, CONDUIT BOX X	1.000 ea
34CB3002A	CB CAST W/.88 DIA HOLE	1.000 ea
34GS1029A01	GASKET, CONDUIT BOX	1.000 ea
51XB1016A07	10-16 X 7/16 HXWSSLD SERTYB	2.000 ea
11XW1032G06	10-32 X .38, TAPTITE II, HEX WSHR SLTD U	1.000 ea
34EP3102A01SP	FR ENDPLATE, MACH	1.000 ea
HW5100A03	WAVY WASHER (W1543-017)	1.000 ea
34EP3300A24SP	PU ENDPLATE, MACH	1.000 ea
51XN1032A20	10-32 X 1 1/4 HX WS SL SR	2.000 ea
34FN3002A01SP	EXTERNAL FAN, PLASTIC, .637/.639 HUB W/	1.000 ea
34FH4002A01SP	IEC FH NO GREASER PRIMED	1.000 ea
51XW1032A06	10-32 X .38, TAPTITE II, HEX WSHR SLTD S	3.000 ea
34CB4517	CB LID 4 MTG HOLES .22 DIA STAMPED, FOR	1.000 ea
34GS1031A01	GASKET, FLAT CONDUIT BOX LID (LEXIDE)	1.000 ea
51XW0832A07	8-32 X .44, TAPTITE II, HEX WSHR SLTD SE	4.000 ea
MG1000G27	MED CHARCOAL METALLIC GREY	0.014 ga
85XU0407S04	4X1/4 U DRIVE PIN STAINLESS	2.000 ea
HA3100A12	THRUBOLT 10-32 X 7.375	4.000 ea
HW2501D13	KEY, 3/16 SQ X 1.375	1.000 ea
HA7000A04	KEY RETAINER 0.625 DIA SHAFTS	1.000 ea
MN416A01	TAG-INSTAL-MAINT no wire (2100bx)4/22	1.000 ea
LC0005E01	CONN.DIA./WARNING LABEL (LC0005/LB1119N)	1.000 ea
NP1256L	ALUM UL CC INDUSTRIAL MOTOR A60	1.000 ea
34PA1002	PKG GRP, PRINT PK1001A01	1.000 ea

AC Induction Motor Performance Data

Record # 85597

Preliminary Data Sheet

Winding: 34WGR708-R001		Type: 3410M	Enclosure: TEFC	
Nameplate Data			460 V, 60 Hz: High Voltage Connection	
Rated Output (HP)	.5	Full Load Torque	0.77 LB-FT	
Volts	230/460	Start Configuration	direct on line	
Full Load Amps	1.6/0.8	Breakdown Torque	2.65 LB-FT	
R.P.M.	3420	Pull-up Torque	1.68 LB-FT	
Hz	60 Phase	3	Locked-rotor Torque	1.89 LB-FT
NEMA Design Code	B KVA Code	J	Starting Current	4.72 A
Service Factor (S.F.)	1.25	No-load Current	0.59 A	
NEMA Nom. Eff.	72 Power Factor	80	Line-line Res. @ 25°C	50.7 Ω
Rating - Duty	40C AMB-CONT	Temp. Rise @ Rated Load	53°C	
S.F. Amps	1.9/0.95	Temp. Rise @ S.F. Load	70°C	
		Locked-rotor Power Factor	76.8	
		Rotor inertia	0.0093 lb-ft ²	

Load Characteristics 460 V, 60 Hz, 0.5 HP

% of Rated Load	25	50	75	100	125	150	S.F.
Power Factor	41	57	71	80	87	91	87
Efficiency	52.3	65.9	71.6	72.6	73.4	71.8	73.4
Speed	3550	3511	3469	3420	3365	3300	3365
Line amperes	0.61	0.65	0.72	0.8	0.93	1.08	0.93

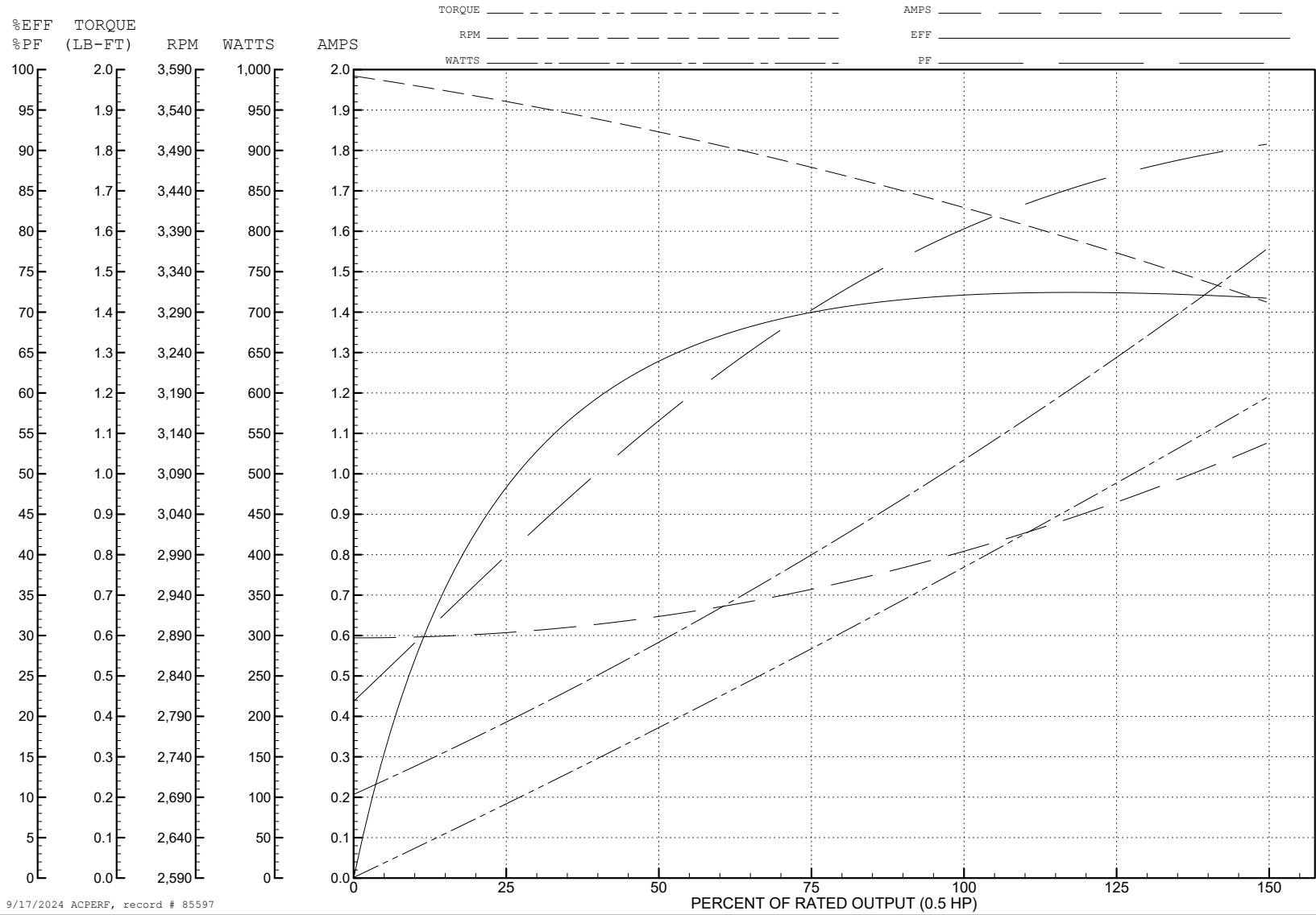
ABB Motors and Mechanical Inc.

WINDING # 34WGR708

Typical performance - not guaranteed values.

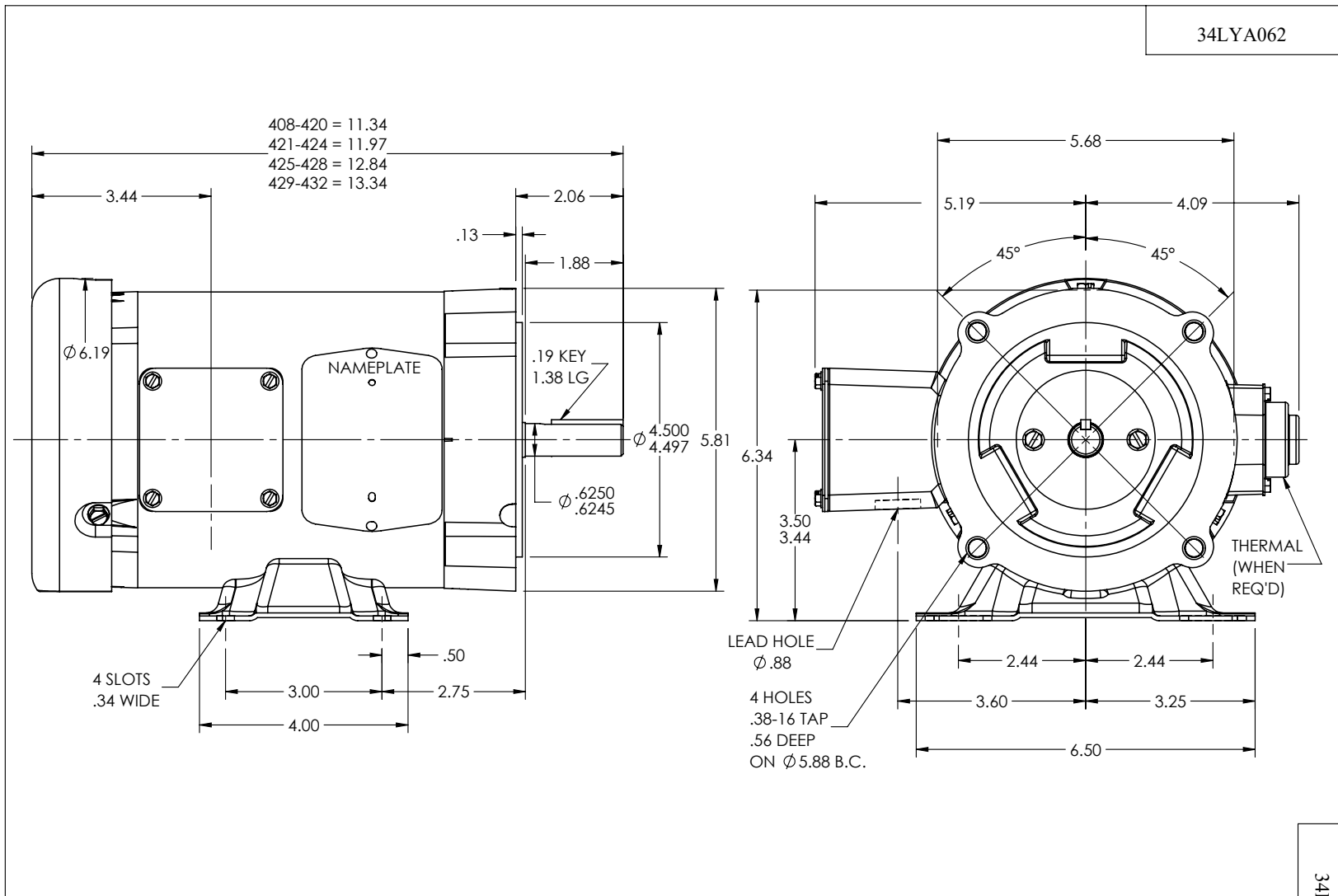
0.5 HP 3 PH 60 HZ 3420 RPM 460 V 3410M

TORQUES (LB-FT): PO=2.65 PU=1.68 LR=1.89 LRA=4.72



9/17/2024 ACPERF, record # 85597

34LYA062



CUSTOMER IS RESPONSIBLE FOR DETERMINING THAT THE PRODUCT WILL PERFORM SUITABLY IN THE INTENDED APPLICATION

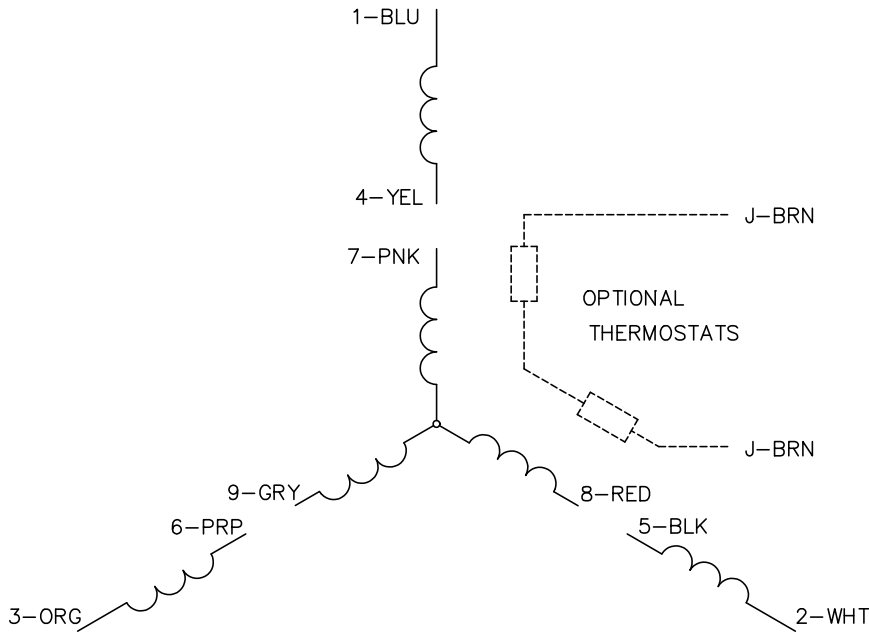
REV. DESC: LOAD TO SOLIDWORKS			
REV: T	VERSION: 05	REVISED: 10:24:02 08/10/2022	TDR: 000001194274
MODEL NO. 34LYA062		REF: -	
BY: ENFRAJ0			

BALDOR - RELIANCE®

STD HORZ 34M NEMA 56C TEFC

34LYA062

CD0005



LOW VOLTAGE (2Y)



LINE

HIGH VOLTAGE (1Y)



LINE

NOTES:

1. INTERCHANGE ANY TWO LINE LEADS TO REVERSE ROTATION.
2. OPTIONAL THERMOSTATS ARE PROVIDED WHEN SPECIFIED.
3. ACTUAL NUMBER OF INTERNAL PARALLEL CIRCUITS MAY BE A MULTIPLE OF THOSE SHOWN ABOVE.
4. LEAD COLORS ARE OPTIONAL. LEADS MUST ALWAYS BE NUMBERED AS SHOWN.

CD0005

REV. DESC: REVISE TO SHOW OPTIONAL COLORS			
REV. LTR: E	BY: JLP	REVISED: 01/19/99 10:15	TDR: 0171435
S00000		FILE: AAA00005140	MDL: -
		MTL: -	

BALDOR ELECTRIC Co.

3PH, DV, 9 LEADS